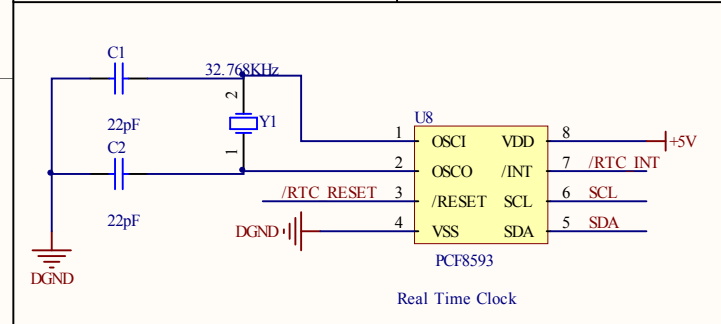
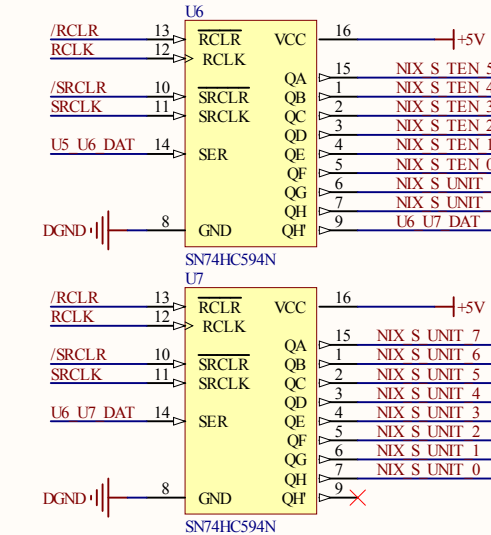
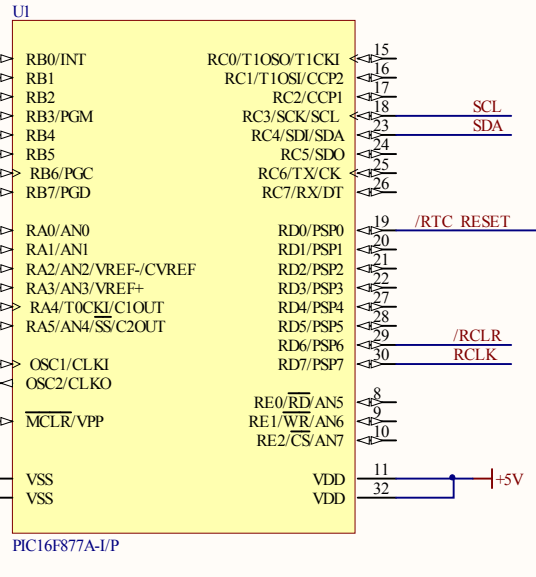
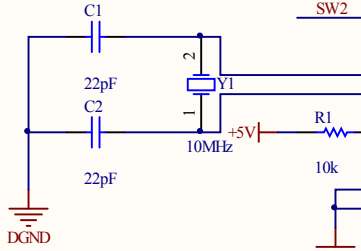


Control Buttons

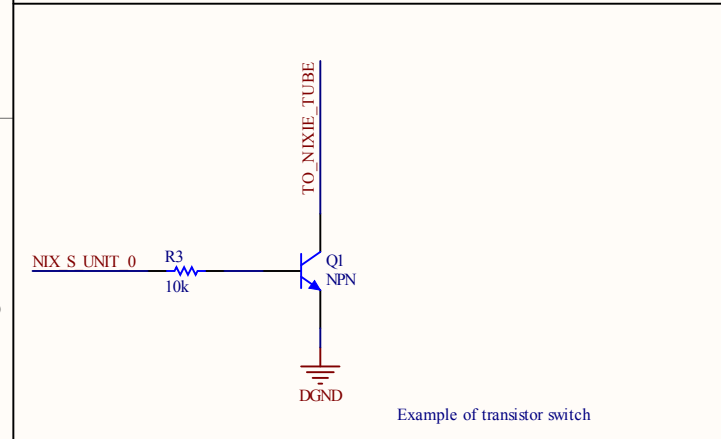
RCLR is the Brown Wire  
 RCLK is the Yellow Wire  
 SRCLR is the Blue Wire  
 SRCLK is the Grey Wire  
 DAT lines are the Red Wires

+5V is the Orange Wire  
 DGND is the Black Wire

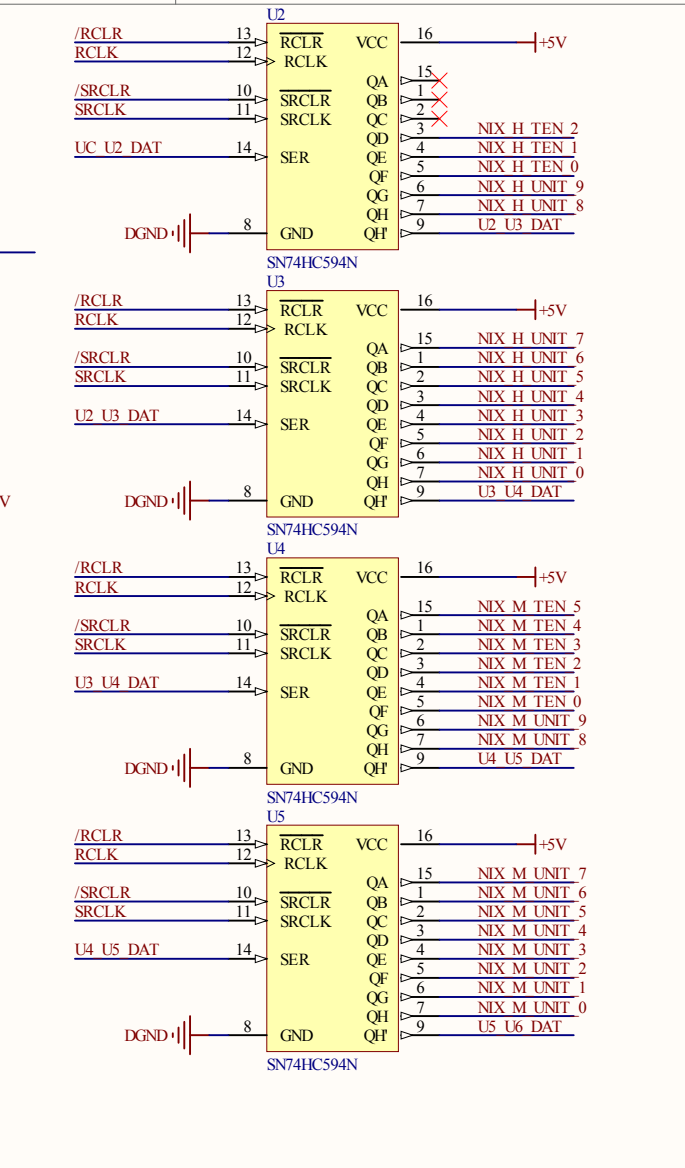
SCL is Yellow  
 SDA is Blue



Real Time Clock



Example of transistor switch



Title		
Size	Number	Revision
A4		
Date:	5/1/2012	Sheet of
File:	E:\Docs\...\Nixie Tube Clock v0_1.SchDoc	Drawn By: